

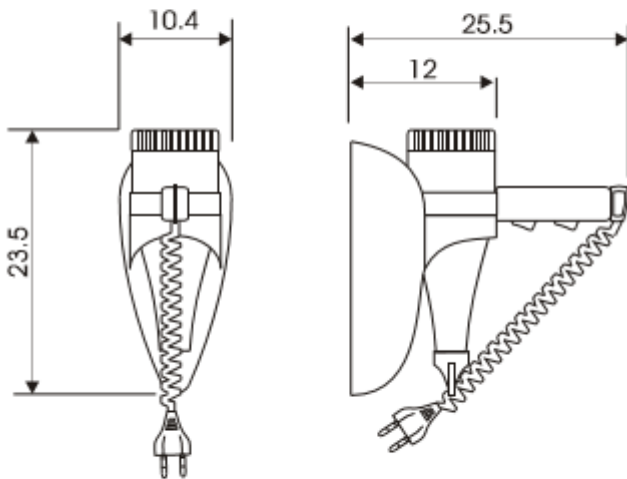
SPECIFICATIONS

Ref. AH96B



- Wall mounted hair dryer
- Professional Motor
 - On / Off security switch
 - Slide switch:
 2 speeds
 3 temperatures
 - Supplied with alimentation cable

Dimensions



Measure unit: cm

Technical Sheet

Functioning	On/Off pushing switch
Material	UV resistant ABS Nylon Uninflammable
Temperatures	3
Speeds	2
Voltage	220/240 V
Frequency	50/60 Hz
Power	1.400 W
Air Flow	96 m ³ /h
Noise level	60 dB
Liquid protection degree	IPX0
Electric protection degree	Class II
Wall installation	By furnished plug or Direct on the wall
Quality Mark	